



Feed valve, side valve, plastic thread, 1/2"

T-2443

Feed valve to let water into the flush tank.

Serial Nr.	DMOC
620590	8.40 €

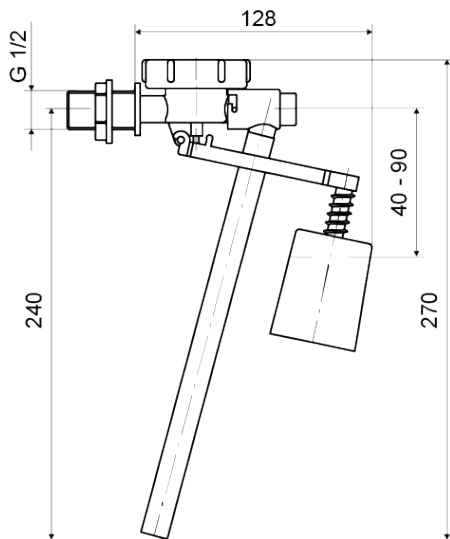
Price / VAT exclusive (Price may be changed)

Description

- Smooth stopping of water jet, no impact
- Adjustable water level
- Small sensitivity to pressure differences in water mains

Technical Parameters

Thread material	plastic
Closing mechanism	Hydraulic
Feeding time	6L - 30 seconds
System fed from	Side
Noise level	< 60 dBa
Minimum Working Pressure	0,05 Mpa
Maximal Working Pressure (MPPT)	1,0 Mpa
Thread diameter	1/2"



Logistic information

Amount (pcs/box)	30
Amount (pallet)	750
Amount (pcs/pallet)	25
Dimensions (pack,box, pcs)	200 x 350
Dimensions (package)	420 x 350 x 280
Weight (piece) kg	0,1581
Weight (package) kg	4,74
Weight (pallet) kg	118,58